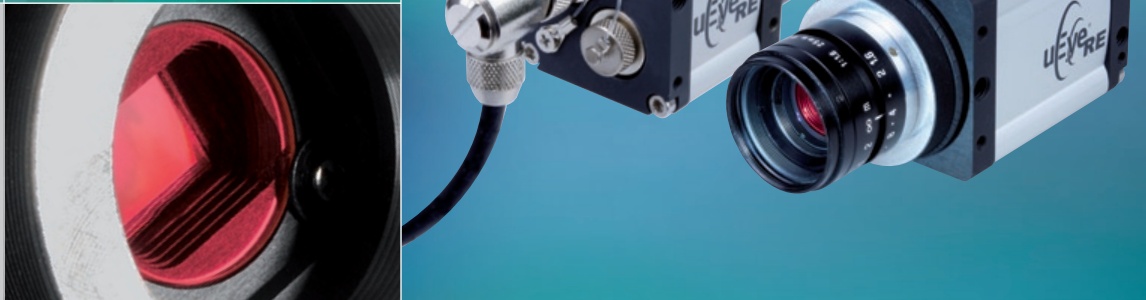


USB uEye®RE



IP 65/67

Your imagination is our challenge

USB uEye® RE



The square design and symmetrical mounting holes allow installing the camera from any side



The connectors are consistently developed for use in harsh environments. The I/Os are protected by an end cap when not in use.



With the lens tubes, the uEye RE cameras meet the requirements of protection classes IP 65 and IP 67



The cables also meet the protection classes and are available in different versions, including drag chain cables

USB uEye® RE – the camera for almost anywhere

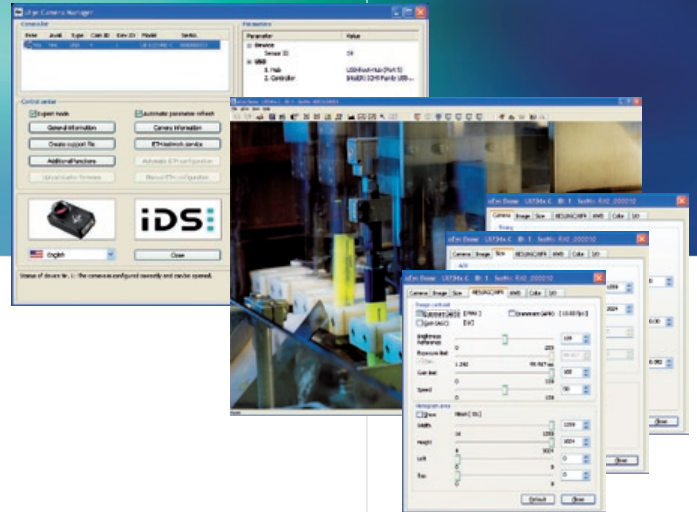
The RE versions of the USB uEye cameras are extremely rugged and offer an extended area of application. In conjunction with the special lens tubes and appropriate cabling, they meet the requirements of protection classes IP 65 and IP 67. The USB uEye RE is thus particularly suited for harsh environments.

Firmware upload philosophy

The modular uEye concept can also be found in our software: All necessary drivers are only loaded into the camera after it has been connected. With regularly released updates the functionality can thus be enhanced even for already installed cameras.

	Resolution	Framerate	Sensor	B/W	Color	Model
up to 1 Megapixel						
VGA	640 x 480	75 fps	1/3" SONY CCD	x	x	UI-2410RE
VGA	640 x 480	75 fps	1/2" SONY CCD	x	x	UI-2210RE
WVGA	752 x 480	87 fps	1/3" Aptina CMOS	x	x	UI-1220RE
CCIR / PAL	768 x 576	52 fps	1/2" SONY CCD	x	x	UI-2220RE
XGA	1024 x 768	30 fps	1/3" SONY CCD	x	x	UI-2230RE
1 to 2 Megapixel						
1,3 Mpixel	1280 x 1024	25 fps	1/2" Aptina CMOS	x		UI-1540RE
1,3 Mpixel	1280 x 1024	25 fps	1/3" Aptina CMOS		x	UI-1640RE
1,3 Mpixel	1280 x 1024	15 fps	1/2" SONY CCD	x	x	UI-2240RE
2 Mpixel	1600 x 1200	18 fps	1/3" Aptina CMOS		x	UI-1550RE
2 Mpixel	1600 x 1200	12 fps	1/2" SONY CCD	x	x	UI-2250RE
over 2 Megapixel						
3,1 Mpixel	2048 x 1536	11 fps	1/2" Aptina CMOS		x	UI-1460RE
5 Mpixel	2560 x 1920	6 fps	1/2" Aptina CMOS	x	x	UI-1480RE
10 Mpixel	3840 x 2748	3 fps	1/2" Aptina CMOS		x	UI-1490RE

Very Easy Integration Thanks to Comprehensive Software



Programming: SDK and interfaces

With every uEye camera, you receive a comprehensive software package with drivers for Windows and Linux. Interfaces for various image processing packages, standard drivers such as DirectShow (WDM), a GenICam™ interface as well as our Software Development Kit (SDK) allow individual integration within a very short time.

Programming: Languages and libraries

To make integration as easy as possible and allow use of your familiar development environment, we support the following programming languages: C, C++, C#, Microsoft .NET and Visual Basic. We also provide 3rd party software drivers for Activision Tools, Common Vision Blox, HALCON, LabView, and NeuroCheck.

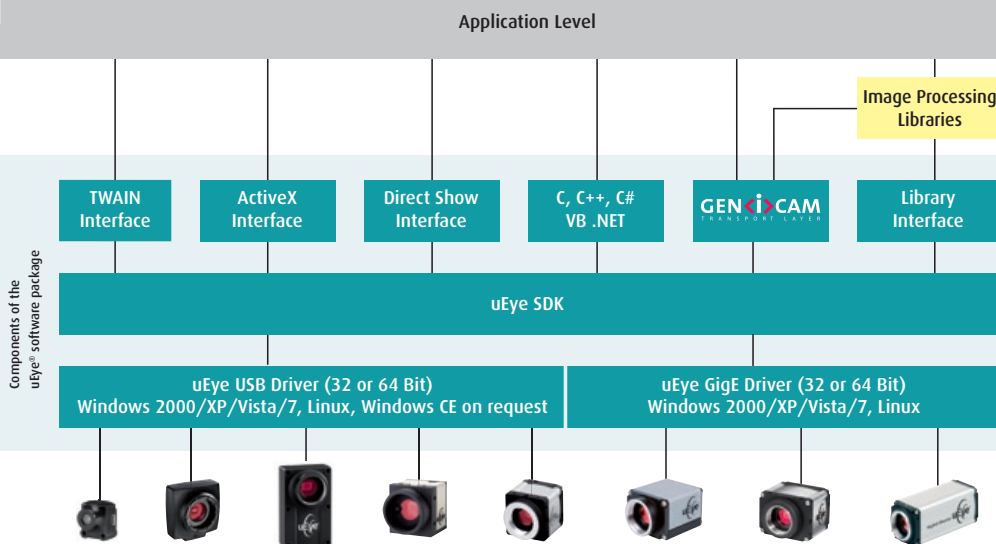
Tools: Easy configuration

The uEye Camera Manager is the central tool for managing all uEye connected to the system. An expert mode gives you additional details on the connected cameras. This central tool helps you avoid bottlenecks and achieve maximum performance.

Tools: uEye® Demo

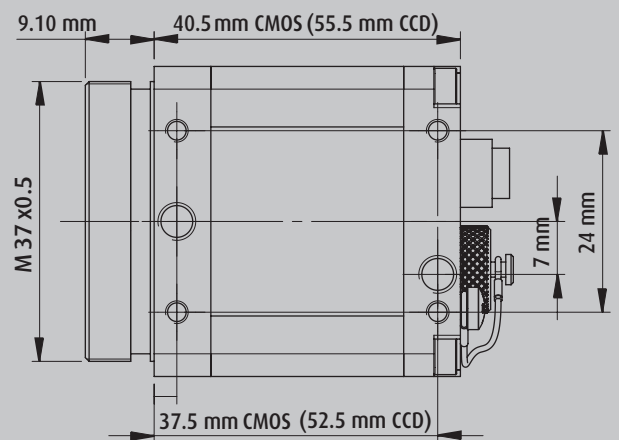
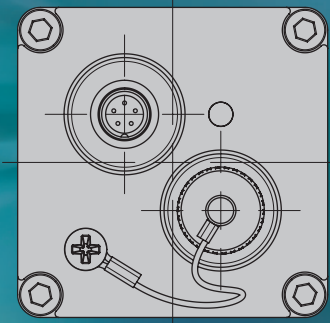
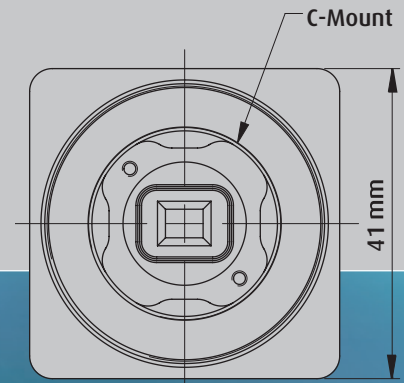
The supplied uEye demo program allows you to start acquiring images with your uEye camera in no time at all. It also allows you to perform image measurement and annotation, in addition to giving you all the tools to configure optimal camera settings for your application.

The uEye® Software



Key features at a glance

- Complies with protection class IP 65/67 in combination with optional accessories
- Universal use with PC, notebook, IPC and embedded systems with USB 2.0
- Resolutions from VGA (640 x 480) to 10 Megapixel (3840 x 2748)
- High-quality CCD and CMOS sensors
- Up to 87 full frames/sec., over 500 frames/sec. with AOI
- Single driver for all uEye cameras
- Camera control and power supply via the USB bus
- Digital input, opto-isolated, can be used for triggering
- Digital output, opto-isolated, can be used for flash control
- Compact housing with C-mount lens connector
- Powerful SDK for Windows 2000/XP/Vista/7 and Linux
- 3rd party drivers for most common image processing software applications, including LabView, HALCON, Common Vision Blox and NeuroCheck
- GenICam™ interface



Scale 1:1 (USB uEye RE) – 3D CAD data on request

