

## UI-3250LE-C-HQ

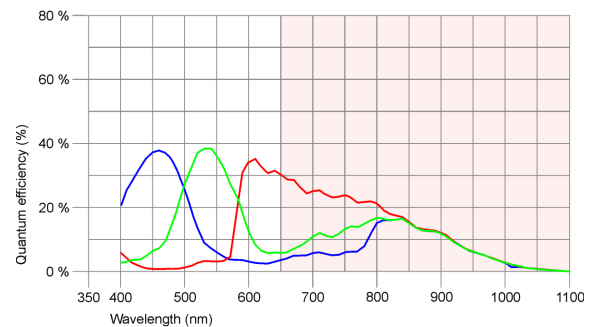


## Specification

- PRELIMINARY -

### Sensor

Sensor Technology	CMOS Color
Manufacturer	e2v
Resolution (h x v)	1600 x 1200
Color depth (sensor)	10 bit
Color depth (camera)	12 bit
Pixel Class	2 MP
Sensor Size	1/1.8"
Shutter	Rolling shutter/Global shutter/Global start shutter
max. fps in Freerun Mode	60.0
Binning Modes	M/C automatic
Subsampling Modes	-
Sensor Model	EV76C570ACT
Pixel size	4.5 µm
Optical Size	7.200 mm x 5.400 mm

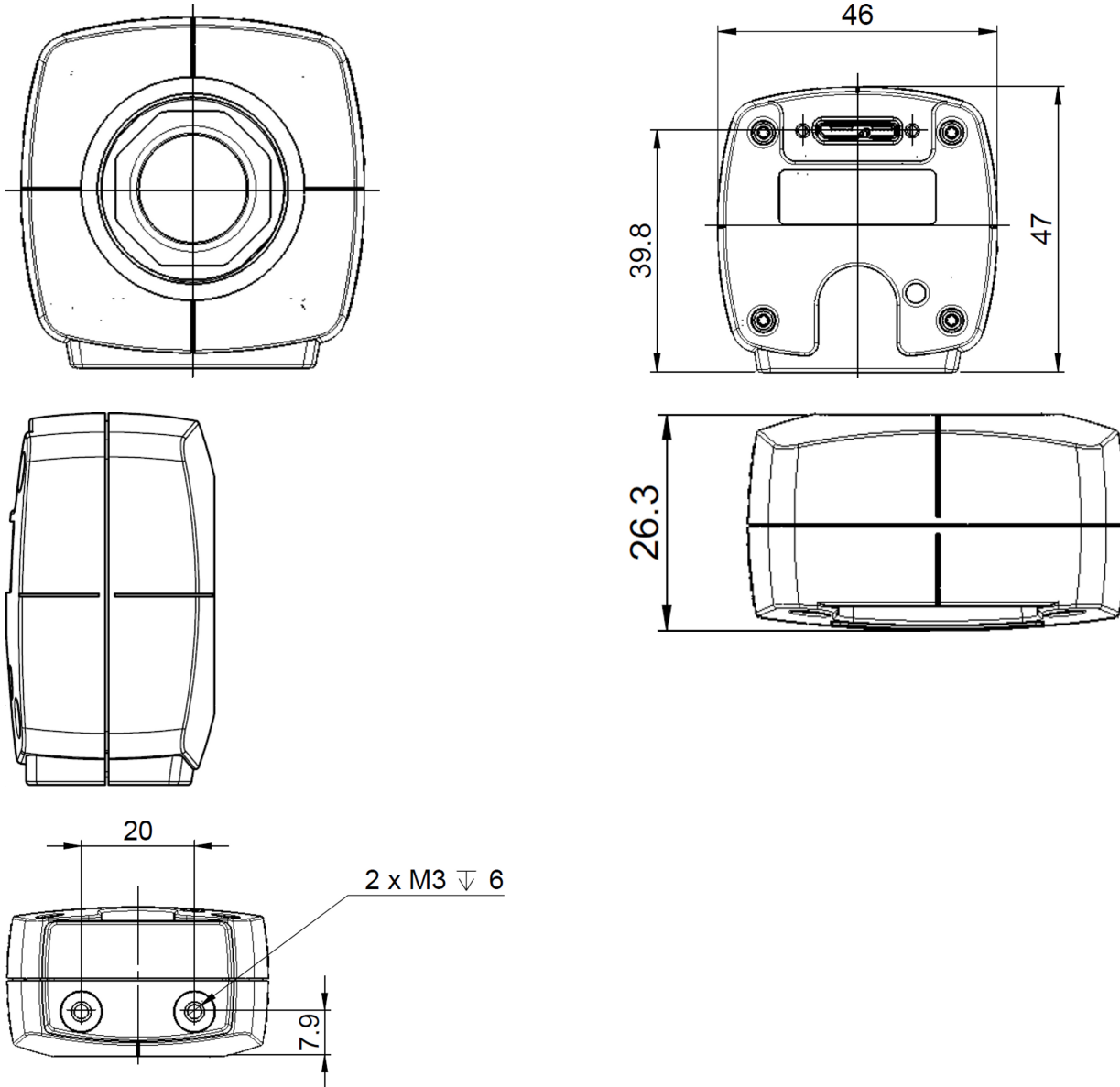


### Design

Interface	USB 3
Lens Mount	CS- / C-Mount
I/O In	-
I/O Out	-
I/O RS-232	-
I/O GPIO	-
I/O I2C	-
Protection Class	IP30
Dimensions H/W/L	47.0 mm x 46.0 mm x 26.3 mm
Mass	39 g
Power supply	USB Cable

Subject to technical modifications

## UI-3250LE-C-HQ



Subject to technical modifications

Page 2 of 2

<http://www.ids-imaging.com>