

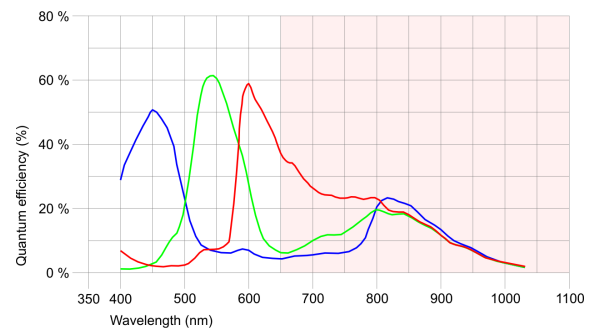
UI-3580ML-C-HQ



Specification

Sensor

Sensor Technology	CMOS Color
Manufacturer	Aptina
Resolution (h x v)	2560 x 1920
Color depth (sensor)	12 bit
Color depth (camera)	12 bit
Pixel Class	5 MP
Sensor Size	1/2"
Shutter	Rolling shutter/Global start shutter
max. fps in Freerun Mode	15.2
Binning Modes	Color
Subsampling Modes	Color
Sensor Model	MT9P006STC
Pixel size	2.2 μ m
Optical Size	5.632 mm x 4.224 mm



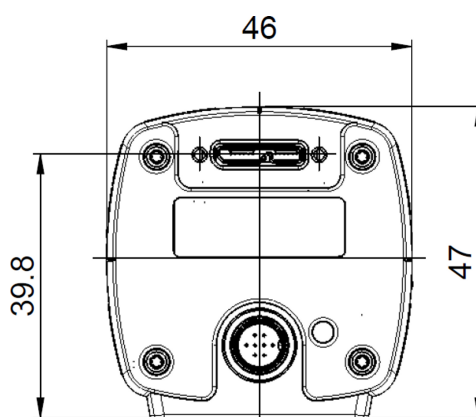
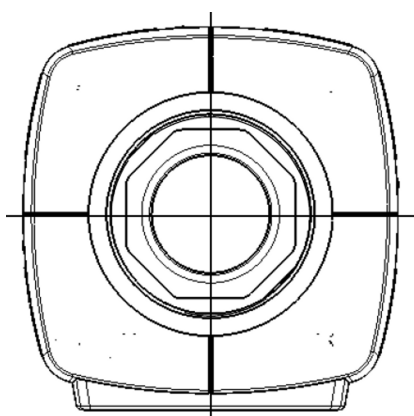
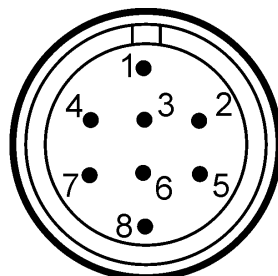
Design

Interface	USB 3
Lens Mount	CS- / C-Mount
I/O In	1 x Opto-decoupled
I/O Out	1 x Opto-decoupled
I/O RS-232	1
I/O GPIO	2
I/O I2C	-
IP code	IP30
Dimensions H/W/L	47.0 mm x 46.0 mm x 28.0 mm
Mass	41 g
Power supply	USB Cable

UI-3580ML-C-HQ

Pin assignment I/O connector

1	Ground (GND)
2	Flash output, opto-decoupled (-)
3	GPI01
4	Trigger input, opto-decoupled (-)
5	Flash output, opto-decoupled (+)
6	GPI02
7	Trigger input, opto-decoupled (+)
8	Output supply voltage, 5V (100mA)



UI-3580ML-C-HQ

