

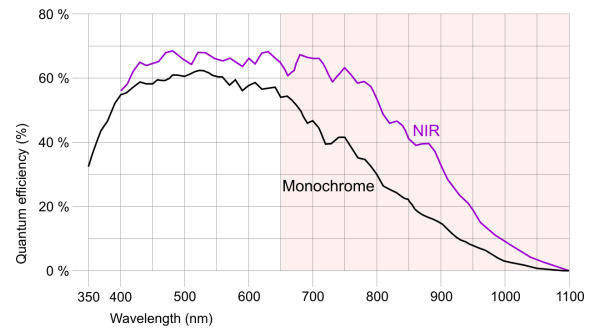
## UI-3240ML-M-GL



## Specification

### Sensor

Sensor Technology	CMOS Mono
Manufacturer	e2v
Resolution (h x v)	1280 x 1024
Color depth (sensor)	10 bit
Color depth (camera)	12 bit
Pixel Class	1.x MP
Sensor Size	1/1.8"
Shutter	Rolling shutter/Global shutter/Global start shutter
max. fps in Freerun Mode	60.0
Binning Modes	M/C automatic
Subsampling Modes	-
Sensor Model	EV76C560ABT
Pixel size	5.3 $\mu\text{m}$
Optical Size	6.784 mm x 5.427 mm



### Design

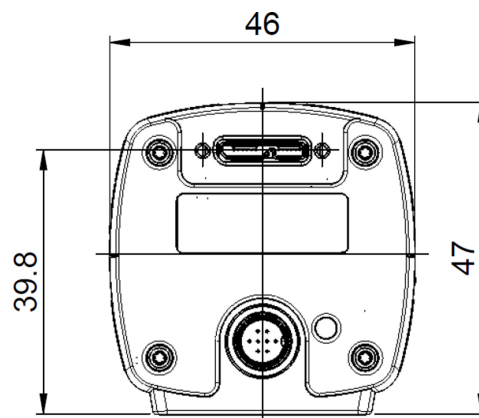
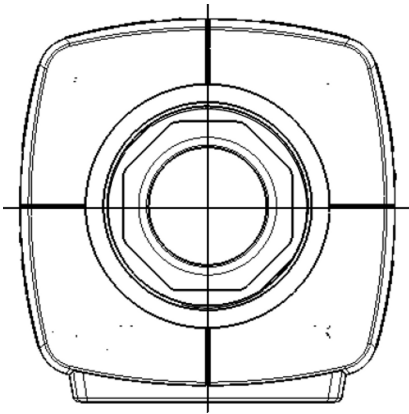
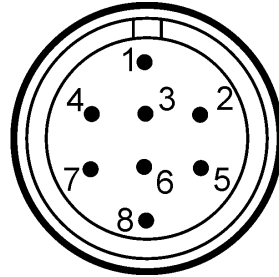
Interface	USB 3
Lens Mount	CS- / C-Mount
I/O In	1 x Opto-decoupled
I/O Out	1 x Opto-decoupled
I/O RS-232	1
I/O GPIO	2
I/O I2C	-
IP code	IP30
Dimensions H/W/L	47.0 mm x 46.0 mm x 28.0 mm
Mass	41 g
Power supply	USB Cable

Subject to technical modifications

## UI-3240ML-M-GL

### Pin assignment I/O connector

1	Ground (GND)
2	Flash output, opto-decoupled (-)
3	GPI01
4	Trigger input, opto-decoupled (-)
5	Flash output, opto-decoupled (+)
6	GPI02
7	Trigger input, opto-decoupled (+)
8	Output supply voltage, 5V (100mA)



## UI-3240ML-M-GL

