

# FOculus

Always a new perspective



## FO531TB/TC

[www.net-gmbh.com](http://www.net-gmbh.com)

### IEEE1394 Digital CCD Camera

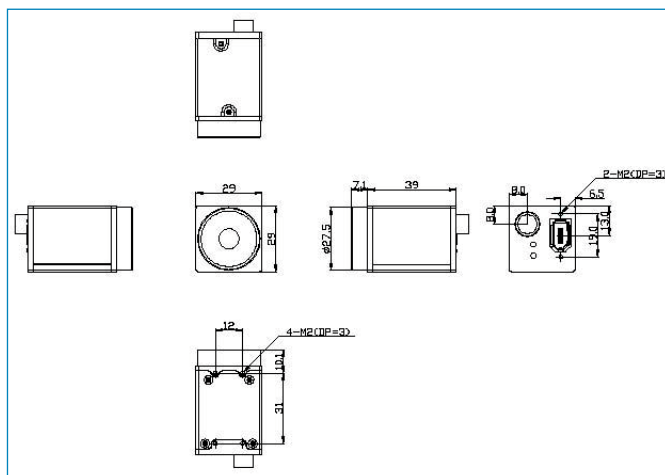
- 1/1.8" Progressive Scan CCD Image Sensor
- Resolution 2,010,000 (square pixel) UXGA
- IEEE1394.a acc. IIDC v.1.31 Interface
- FO531TB =B/W • FO531TC =Color
- External Trigger
- Camera setting via IEEE1394 Interface
- High Speed Up Trigger Framerate
- Tiny casing 29 mm x 29 mm x 39 mm
  
- Application:
  - Machine Vision • Semi Con Inspection
  - Factory Automation • Microscopy + Medical
  - Quality Control • Barcode, OCR, OCV
- Free Application Software and SDK

  
NEW ELECTRONIC TECHNOLOGY

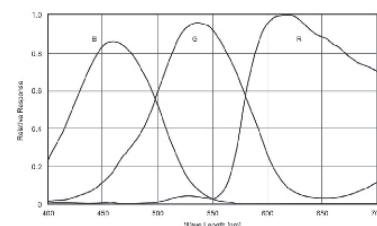
# Technical Data

# FO531TB/TC

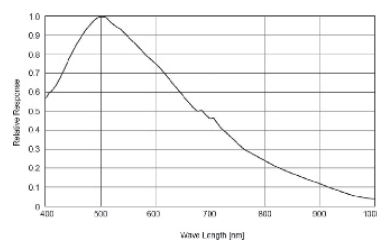
	FO531TB (B/W)	FO531TC (Color)
Image Sensor	1/1.8" IT CCD ICX274AL	1/1.8" IT CCD ICX274AQ
Effective pixel	2.010,000 pixel, 1628 (H) x 1236 (V) UXGA	
Data Path	8bit or 12bit B/W	8bit or 12bit Raw RGB / YUV422
Pixel Size	4.40 (H) x 4.40 (V) µm	
Scanning System	Progressive Scan	
Frame Rate	16fps (format7) / 15 / 7.5 / 3.75 / 1.875 fps	
Synchronization	Internal	
Digital Interface	IEEE1394a	
Software Interf.	Acc. IIDC v. 1.31	
Gain Control	Manual: 0 ~ 27 dB; Auto Gain	
Gamma	0,4 - 2,5	
Strobe Output	Yes	
S/N Ratio	56 dB or better	
Power Supply	+ 8 VDC to + 30 VDC via the IEEE1394 cable	
Transfer Rate	400 Mbps	
Trigger Mode	Software or External Trigger / Mode 0 ~ 5; 14; 15	
Shutter Speed	Manual: 1 µsec ~ 3600 sec; Auto Shutter	
Advanced Features	Pixel Binning B/W + Color; RS232 (SIO/Pass through); ROI; One Shot & Multi Shot; Industrial Lock Screw Support	
Operating Temperatur	- 5°C to + 45°C	
Regulations	FCC, CE, RoHS	
Lens Mount	CS-/C-mount	
Dimension	29 (W) x 29 (H) x 39 (D)	



Spectral Sensitivity for FO531TC



Spectral Sensitivity for FO531TB



Accessories: • IEEE 1394 cable, 6-pin • SDK (Software Development Kit) • OHCI Card • Tripod Adapter Plate • Trigger Cable 6-pin

## Contact

New Electronic Technology  
Vertriebsgesellschaft mbH  
Lerchenberg 7 • D-86923 Finning

Fon +49 8806 92 34-0  
Fax +49 8806 92 34-77  
info@net-gmbh.com  
www.net-gmbh.com

NET USA, Inc.  
3037 - 45th Street  
Highland, IN 46322

Fon +1 219 934 90 42  
Fax +1 219 934 90 47  
info@net-usa-inc.com  
www.net-usa-inc.com

NET Japan Co., Ltd.  
8F Shin-Yokohama, Kohoku-ku,  
Yokohama - shi 222-0033, JAPAN

Fon +81 45 478 1020  
Fax +81 45 476 2423  
info@net-japan.com  
www.net-japan.com

