

FOculus

Always a new perspective



FO432TB/TC

FO432TB/TC

www.net-gmbh.com

IEEE1394 Digital CCD Camera

- 1/2" Progressive Scan CCD Image Sensor
- Resolution 1,450,000 (square pixel) SXGA
- IEEE1394.a acc. IIDC v.1.31 Interface
- FO432TB =B/W • FO432TC =Color
- External Trigger
- Camera setting via IEEE1394 Interface
- High Speed Up Trigger Framerate
- Tiny casing 29 mm x 29 mm x39 mm

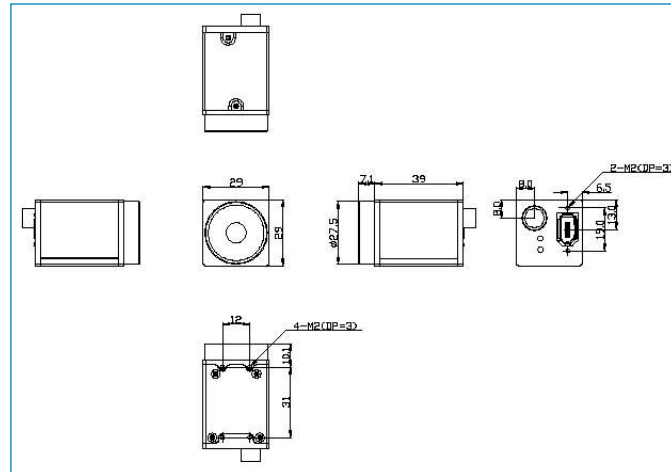
- Application:
 - Machine Vision
 - Factory Automation
 - Quality Control
 - Semi Con Inspection
 - Microscopy + Medical
 - Barcode, OCR, OCV
- Free Application Software and SDK


NEW ELECTRONIC TECHNOLOGY

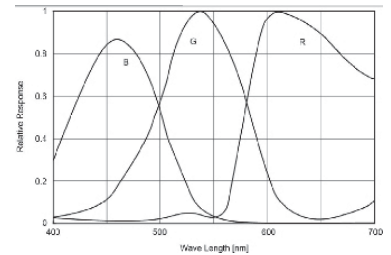
Technical Data

FO432TB/TC

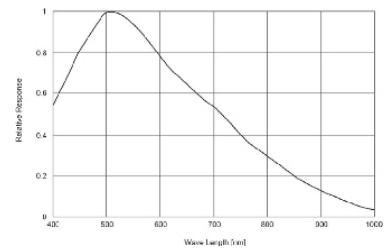
	FO432TB (B/W)	FO432TC (Color)
Image Sensor	1/2" IT CCD ICX267AL	1/2" IT CCD ICX267AK
Effective pixel	1.450,000 pixel, 1388 (H) x 1040 (V) SXGA	
Data Path	8bit or 12bit B/W	8bit or 12bit Raw RGB / YUV422
Pixel Size	4.65 (H) x 4.65 (V) μ m	
Scanning System	Progressive Scan	
Frame Rate	20fps (format7) / 15 / 7.5 / 3.75 / 1.875 fps	
Synchronization	Internal	
Digital Interface	IEEE1394a	
Software Interf.	Acc. IIDC v. 1.31	
Gain Control	Manual: 0 ~ 27 dB; Auto Gain	
Gamma	0,4 - 2.5	
Strobe Output	Yes	
S/N Ratio	56 dB or better	
Power Supply	+ 8 VDC to + 30 VDC via the IEEE1394 cable	
Transfer Rate	400 Mbps	
Trigger Mode	Software or External Trigger / Mode 0 ~ 5; 14; 15	
Shutter Speed	Manual: 1 μ sec ~ 3600 sec; Auto Shutter	
Advanced Features	PixelBinning(B/Wonly);RS232(SIO/Pass through);ROI;OneShot&MultiShot; Multi Camera Auto Sync; Lock Screw Support	
Operating Temperatur	- 5°C to + 45°C	
Regulations	FCC, CE, RoHS	
Lens Mount	CS-/C-mount	
Dimension	29 (W) x 29 (H) x 39 (D)mm	



Spectral Sensitivity for FO432TC



Spectral Sensitivity for FO432TB



Accessories: • IEEE 1394 cable, 6-pin • SDK (Software Development Kit) • OHCI Card • Tripod Adapter Plate • Trigger Cable 6-pin

Contact

New Electronic Technology
Vertriebsgesellschaft mbH
Lerchenberg 7 • D-86923 Finning

Fon +49 8806 92 34-0
Fax +49 8806 92 34-77
info@net-gmbh.com
www.net-gmbh.com

NET USA, Inc.
3037 - 45th Street
Highland, IN 46322

Fon +1 219 934 90 42
Fax +1 219 934 90 47
info@net-usa-inc.com
www.net-usa-inc.com

NET Japan Co., Ltd.
8F Shin-Yokohama, Kohoku-ku,
Yokohama - shi 222-0033, JAPAN

Fon +81 45 478 1020
Fax +81 45 476 2423
info@net-japan.com
www.net-japan.com

