

FOculus

Always a new perspective



FO1224TC

FO1224TC

www.net-gmbh.com

IEEE1394 Digital CMOS Camera

- 1/3" CMOS Image Sensor
- Resolution 330,000 (square pixel) WVGA
- IEEE1394.a acc. IIDC v.1.31 Interface
- FO1224TC =Color
- External Trigger
- Camera setting via IEEE1394 Interface
- High Speed Up Trigger Framerate
- Tiny casing 29 mm x 29 mm x 39 mm
- Application:
 - Machine Vision
 - Factory Automation
 - Quality Control
 - Semi Con Inspection
 - Microscopy + Medical
 - Barcode, OCR, OCV
- Free Application Software and SDK

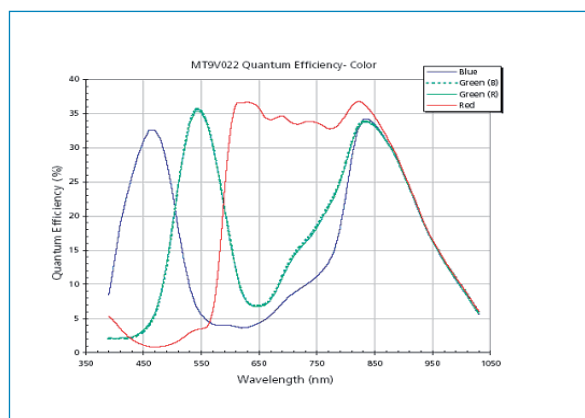
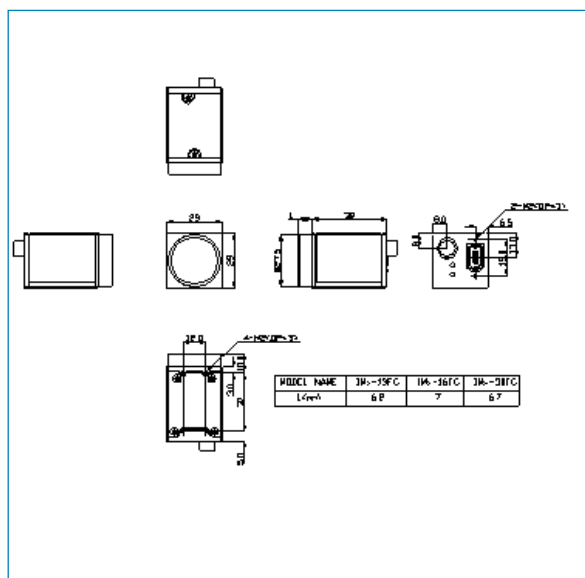

NEW ELECTRONIC TECHNOLOGY

Technical Data

FO1224TC

CMOS

		FO1224TC
Image Sensor		1/3"MT9V022177ATC
Effective Pixel		752 (H) x 480 (V) WVGA
Data Path		8 or 10bit Raw RGB / YUV422
Cell Size		6.0 (H) x 6.0 (V) μm
Frame Rate (fps)		60 fps
Lens Mount		C - / CS- mount
Scanning System		Global Shutter
Binning		not supported
Format 7		Partial Scan (Unit: 4x4)
Trigger	Edge	Rising Edge or Falling Edge
	Mode	0
	Source	External Trigger or Software Trigger
Strobe		Active High, Support Normal Mode or Trigger Mode
Memory Save/Load		16 Channels (0: factory, 1-4: feature, 5-15:mode/feature)
Control Functions		Brightness, Sharpness, Gamma, Auto-Shutter, Pan/Tilt, U/B, V/R, Hue/G, White Balance
SIO (RS-232)		I2C v1.31 version: Path through or NET command
Digital Interface / Transfer Rate		IEEE1394 1 port(6 pin) / 400 Mbps
Gain		0 ~ 12 dB
Shutter Speed		93 μsec ~ 100 ms
S/N Ratio		45 dB
Dimension		29 (W) x 29 (H) x 39 (D) mm
Operation		-5°C to +45°C
Camera Specification		I2C 1394-based Digital Camera Specification v. 1.31



Spectral Sensitivity for FO1224TC

Accessories: • IEEE 1394 cable, 6-pin • SDK (Software Development Kit) • OHCI Card • Tripod Adapter Plate • Trigger Cable

Contact

New Electronic Technology
Vertriebsgesellschaft mbH
Lerchenberg 7 • D-86923 Finning

Fon +49 8806 92 34-0
Fax +49 8806 92 34-77
info@net-gmbh.com
www.net-gmbh.com

NET USA, Inc.
3037 - 45th Street
Highland, IN 46322

Fon +1 219 934 90 42
Fax +1 219 934 90 47
info@net-usa-inc.com
www.net-usa-inc.com

NET Japan Co., Ltd.
8F Shin-Yokohama, Kohoku-ku,
Yokohama - shi 222-0033, JAPAN

Fon +81 45 478 1020
Fax +81 45 476 2423
info@net-japan.com
www.net-japan.com

